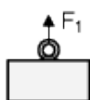
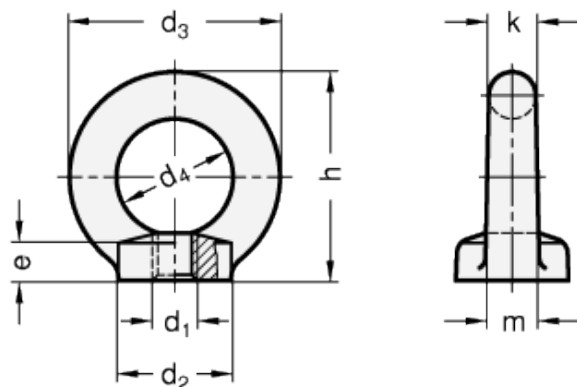


DIN 582-NI

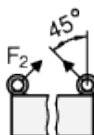
Lifting eye nuts



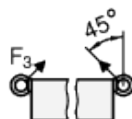
INOX
Stainless Steel



Axial load-bearing capacity per eye nut



Load-bearing capacity at max. 45° per eye nut



Lateral load-bearing capacity at max. 45° per eye nut



Do not use under shear tension



technical informations

Material

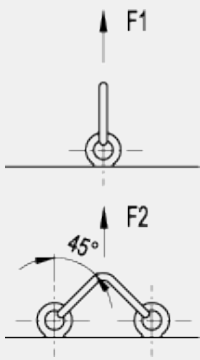
- Version NI: Drop-forged stainless steel A2, machined contact face.
- Version A4: Drop-forged stainless steel A4, machined contact face.

Features and applications

The following guidelines of the lifting eye nuts DIN 582 have to be observed in addition to the load values given in the above table.

The eye nut must be of fully screwed in to achieve a perfect contact between the two mating faces.

Both threads must be of a equal length and the base material of equal strength to that of the nut. For more guidelines, see the enclosed operating instruction.



Standard Elements	Main dimensions							Mounting hole	F_1 max. in N	F_2 max. in N	F_3 max. in N	Weight
Description	d_2	d_3	d_4	e	h	k	m	d_1				g
DIN 582-M8-NI	20	36	20	8.5	36	8	10	M8	1400	1000	700	45
DIN 582-M10-NI	25	45	25	10	45	10	12	M10	2300	1700	1150	100
DIN 582-M12-NI	30	54	30	11	53	12	14	M12	3400	2400	1700	155
DIN 582-M16-NI	35	63	35	13	62	14	16	M16	7000	5000	3500	240
DIN 582-M20-NI	40	72	40	16	71	16	19	M20	12000	8600	6000	360
DIN 582-M24-NI	50	90	50	20	90	20	24	M24	18000	12900	9000	720
GN 582-M10-A4	25	45	25	10	45	10	12	M10	2300	1700	1150	88
GN 582-M12-A4	30	54	30	11	53	12	14	M12	3400	2400	1700	167
GN 582-M16-A4	35	63	35	13	62	14	16	M16	7000	5000	3500	249
GN 582-M20-A4	40	72	40	16	71	16	19	M20	12000	8600	6000	380
GN 582-M24-A4	50	90	50	20	90	20	24	M24	18000	12900	M20	380



STANDARD MACHINE ELEMENTS WORLDWIDE